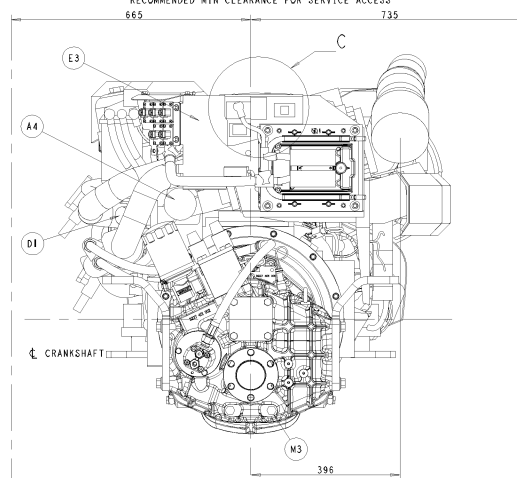
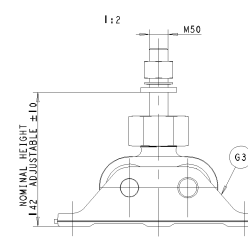
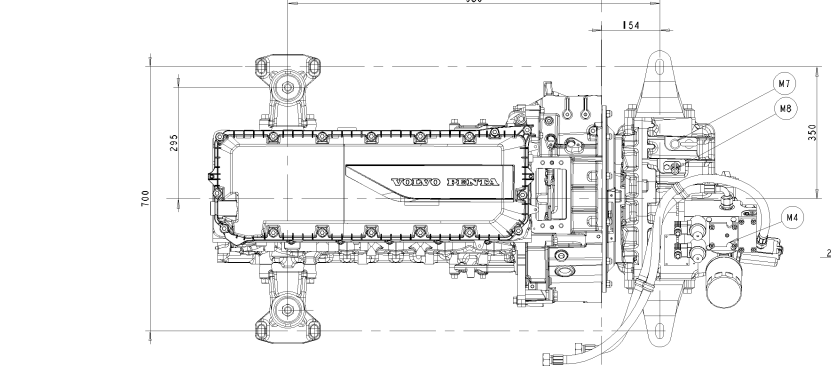


RECOMMENDED MIN CLEARANCE FOR SERVICE ACCESS  
665 735



	X	Y	Z
A1 FUEL CONNECTION INLET, 550mm HOSE WITH SPHERICAL FITTING, ACC TO DIN 3863 (M18x1,5)	-510	-235	-50
A2 FUEL CONNECTION OUTLET, 550mm HOSE WITH SPHERICAL FITTING, ACC TO DIN 3863 (M18x1,5)	-550	-235	-50
A3 FUEL FILTER			
A4 SEA WATER PUMP			
A5 HAND PUMP			
B2 OIL FILTER			
B7 OIL COOL INLET	-500	-190	115
B7 OIL COOL OUTLET	-550	-175	180
C1 FRESH WATER FILLER (EXPANSION TANK)			
C2 FRESH WATER DRAIN POINT			
C3 CONNECTION HOT WATER INLET R 1/2" (OPTION)	-935	-465	25
C4 CONNECTION HOT WATER OUTLET R 1/2" (OPTION)	-1035	-505	220
D1 SEA WATER INLET FOR Ø 52/2" ID HOSE, CAN BE TURNED 360° (I.D Ø44)			
D2 SEA WATER DRAIN POINT (2x)			
D3 WET EXHAUST CONNECTION 152mm/6" I.D HOSE			
E1 CONNECTION BATTERY POS. +	-440	260	15
E2 CONNECTION BATTERY NEG-	-360	305	60
E3 ECU CONTROL UNIT			
E4 AUXILIARY STOP			
E5 DATALINK			
E6 SENSORS			
E7 AUX			
E8 AUX			
E9 DIAGNOSE 1			
F1 AIR FILTER			
G1 ELASTIC SUSPENSION (2x)			
G2 LIFTING EYE (3x)			
G3 ENGINE BRACKET (2x)			
H1 DIAGNOSE 2	185	90	555
H2 CONN. A	185	-30	500
H3 CONN. B	200	-35	565
H4 RELAY			
K1 TURBO FLANGE			
L1 COOLANT INLET	-1080	-83,5	505
L2 COOLANT OUTLET	-985	-280	135
M1 TEMPERATURE SENSOR, EXHAUST RISER	95	310	560
M2 TEMPERATURE SENSOR, RISER OUTLET	-5	415	510
M3 OIL DRAIN TRANSMISSION	315	55	-245
M4 EMERGENCY SHIFTING			
M5 OIL INLET ON OIL COOLER (ISO-G 1/2)	-140	-430	200
M6 OIL OUTLET ON OIL COOLER (ISO-G 1/2)	-55	-400	150
M7 OIL FILL TRANSMISSION			
M8 OIL DIPSTICK TRANSMISSION			

SCALE 1:5

The design, fabrication and utilization of this document shall be the responsibility of the customer. Volvo Penta is not responsible for any damage, injury or loss of property resulting from the use of this document.

**VOLVO PENTA**  
 ENGINE DIMENSIONS  
 OS INBOARD  
 REV. GEAR  
 DIMENSION DRAWING  
 Volvo manufacturing plant

22863265 01